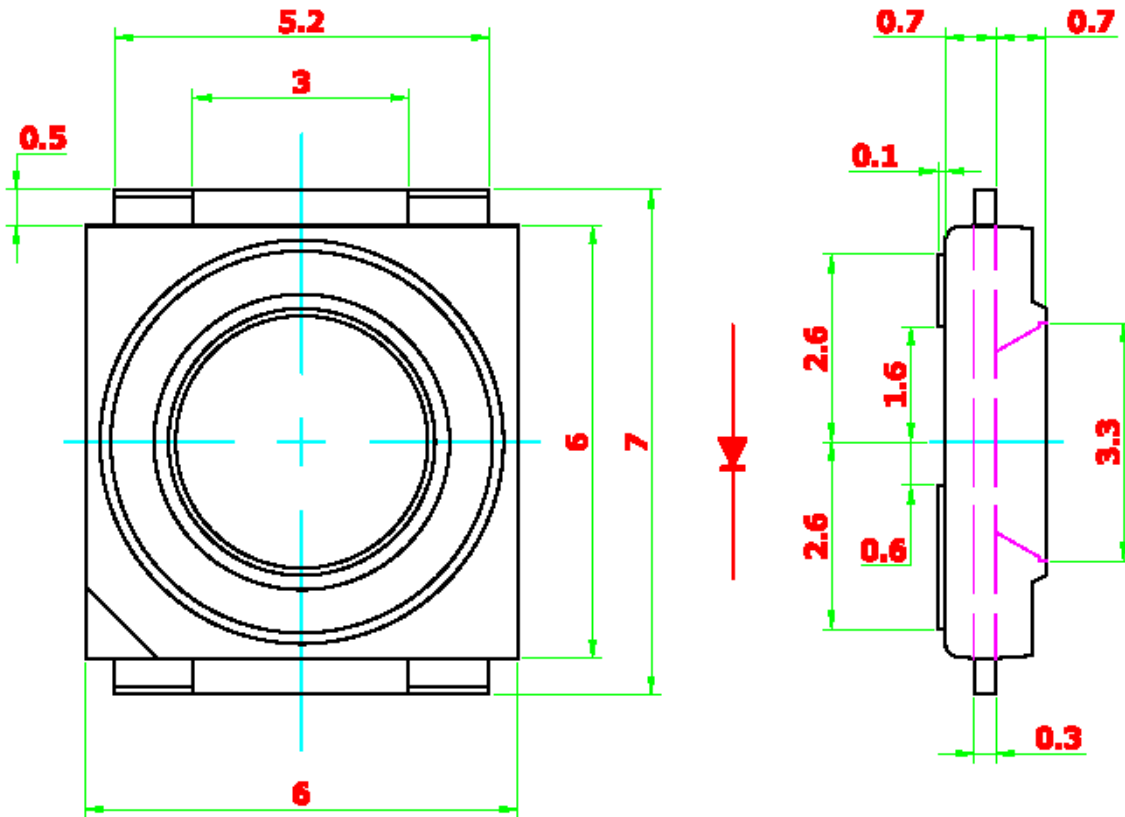




NovaLED 350 InGaN Green



- Super high brightness surface mount LED.
- High flux output.
- 120° viewing angle.
- Compact package outline (LxW) of 6.0 x 6.0 mm. Ultra low height profile – 1.5 mm.
- Designed for high current drive; Maximum 350 mA.
- Low thermal resistance; $R_{th(j-s)} = 20 \text{ K/W}$.
- Compatible to IR reflow soldering.
- **Nova LEDs are Class 1M LED products. Do not view directly with optical instrument.**



Material

	Material
Lead-frame.	Cu Alloy With Ag Plating.
Package.	High Temperature Resistant Plastic, PPA.
Encapsulate	Epoxy Resin.
Soldering Leads.	Sn-Sn Plating.

Note : Product has no lead (Pb) content.

Absolute Maximum Ratings

	Maximum Value	Unit
DC forward current.	350	mA
Pulse current	1000	mA
Reverse voltage.	5	V
LED junction temperature.	120	°C
Operating temperature.	-40 ... +100	°C
Storage temperature.	-40 ... +100	°C



Optical Characteristics at Ta=25°C.

Part Number	Total Flux @ If=350mA	Intensity @ If=350mA (mcd)			Viewing
	Typ. (lm)	Min	Typ.	Max	Angle
BL-PPT-USS-ABC-1	32	9,000	10,000	14,000	120

IV Bins	Intensity @ If=350mA (mcd)	
	Min	Max
AB	9,000	11,250
AC	11,250	14,000

1. Luminous intensity is measured with an accuracy of ±11%.
2. Wavelength binning is carried for all units as per the wavelength-binning table. Only one wavelength group is allowed for each reel. Please refer to the following.

Electrical Characteristics at Ta=25°C.

Part Number	Color	Vf @ If=350mA		Vr @ Ir=10uA
		Typ. (V)	Max. (V)	Min.(V)
BL-PPT-USS	Green	3.6	4.0	5

Forward voltage, Vf is measured with a current pulse of 1 ms and an accuracy of ±0.1 V.

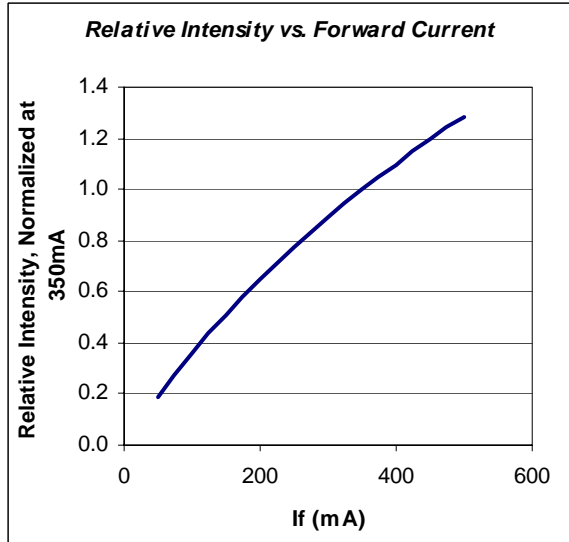
Wavelength Grouping.

Color	Group	Wavelength distribution (nm) @ 350 mA
PPT; Green	Full	525 - 535
	A	525 - 530
	B	530 - 535

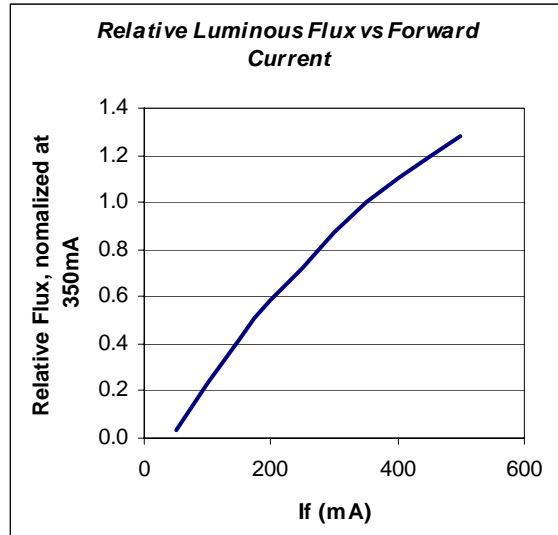
Dominant wavelength is measured with an accuracy of ±1 nm.



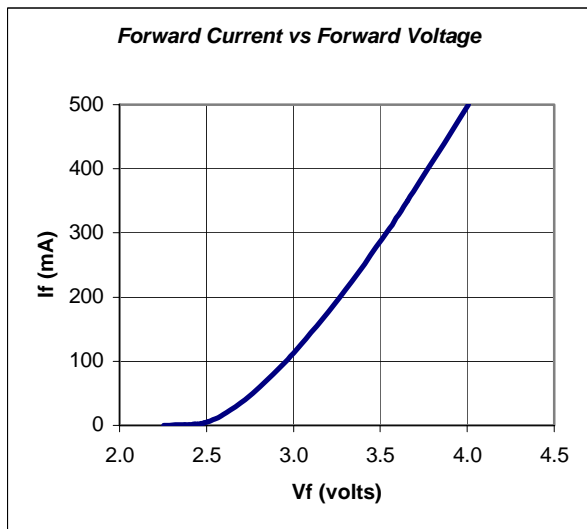
Relative intensity vs. forward current.



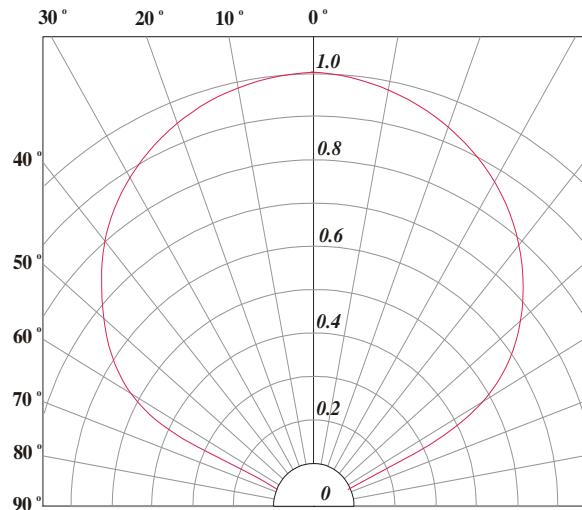
Flux vs. forward current.



Forward current vs. forward voltage.

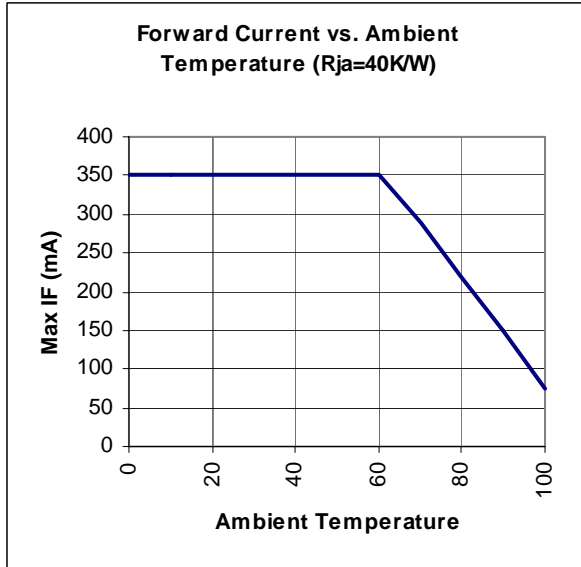


Radiation pattern.

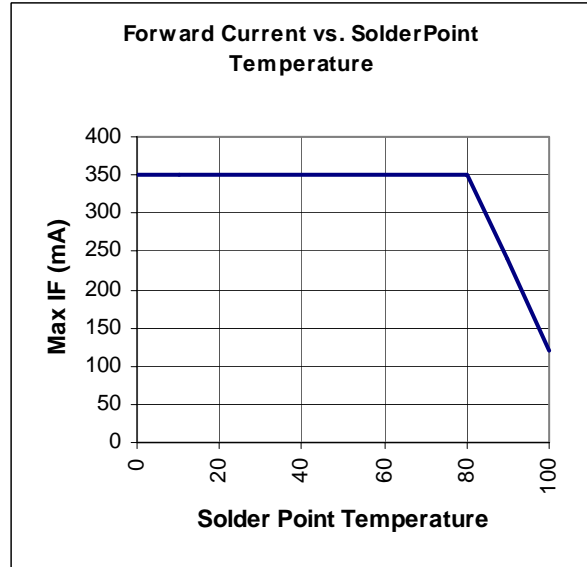




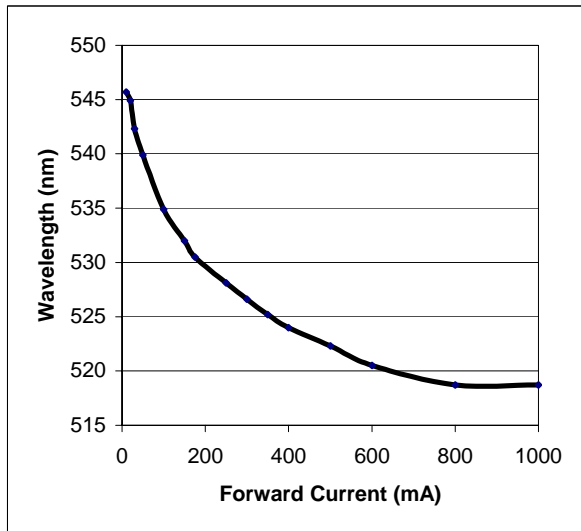
Maximum Permissible Current.



Maximum Permissible Current.



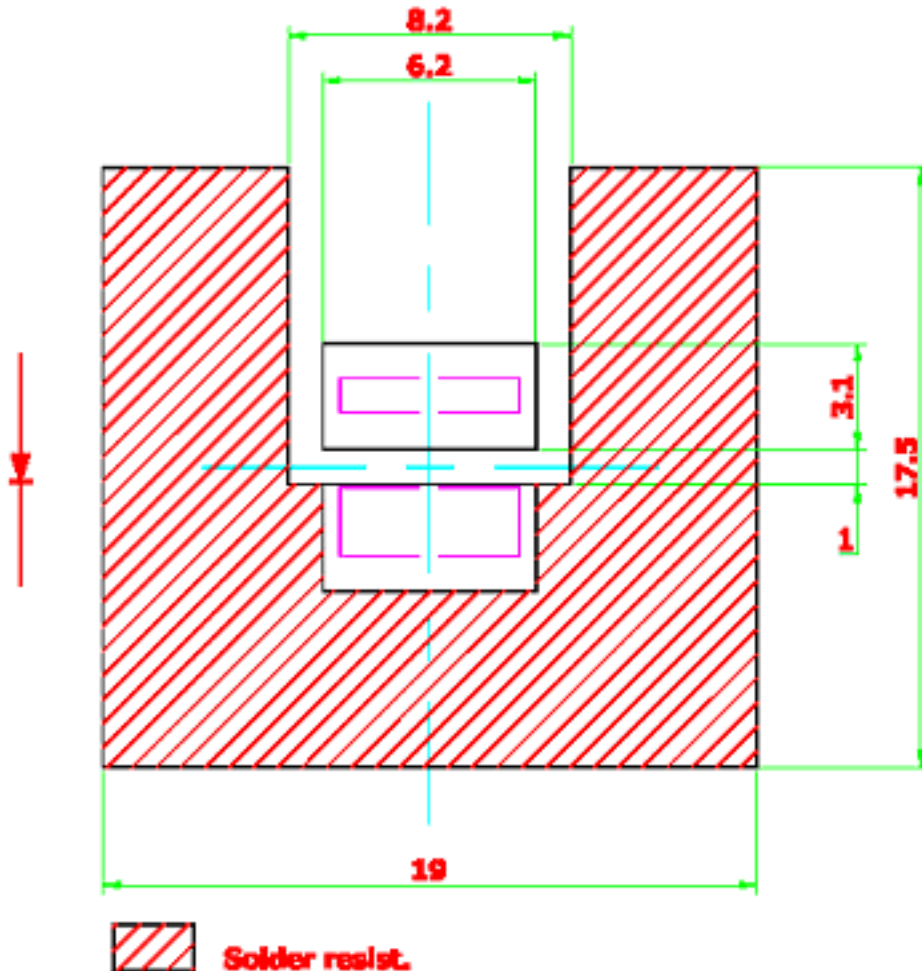
Wavelength vs Forward Current.





Solder Pad Design.

Note : Unit to unit pitching must not be less than 25 mm. Metal core circuit board (MCPCB) is highly recommended for high density applications. Please consult sales and marketing for additional information.

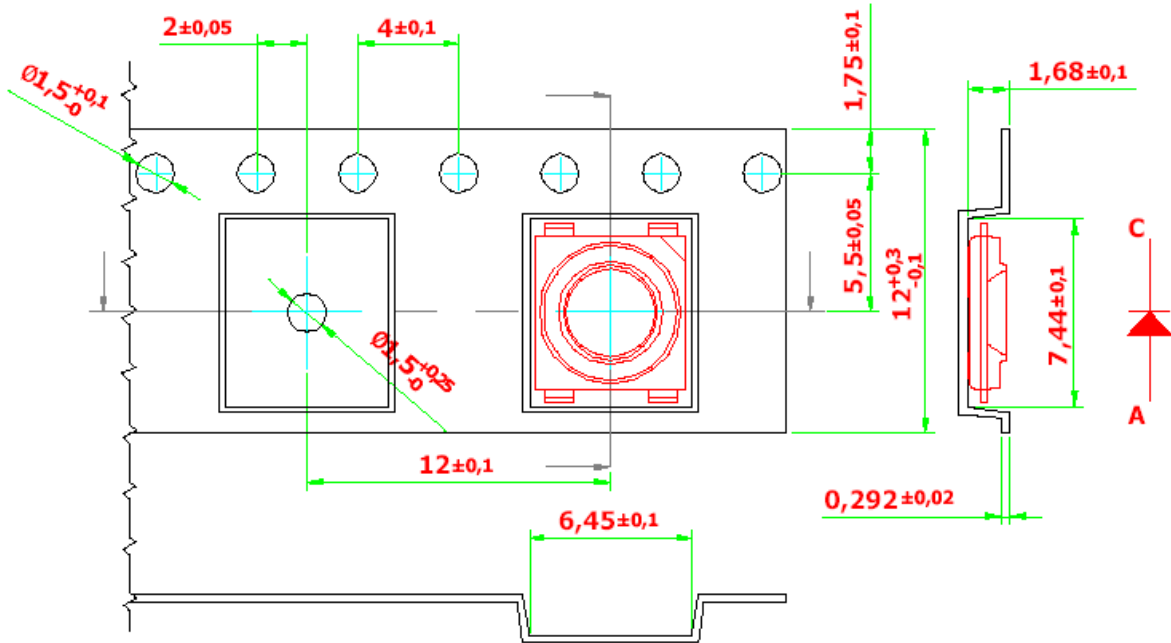




Taping And Orientation.

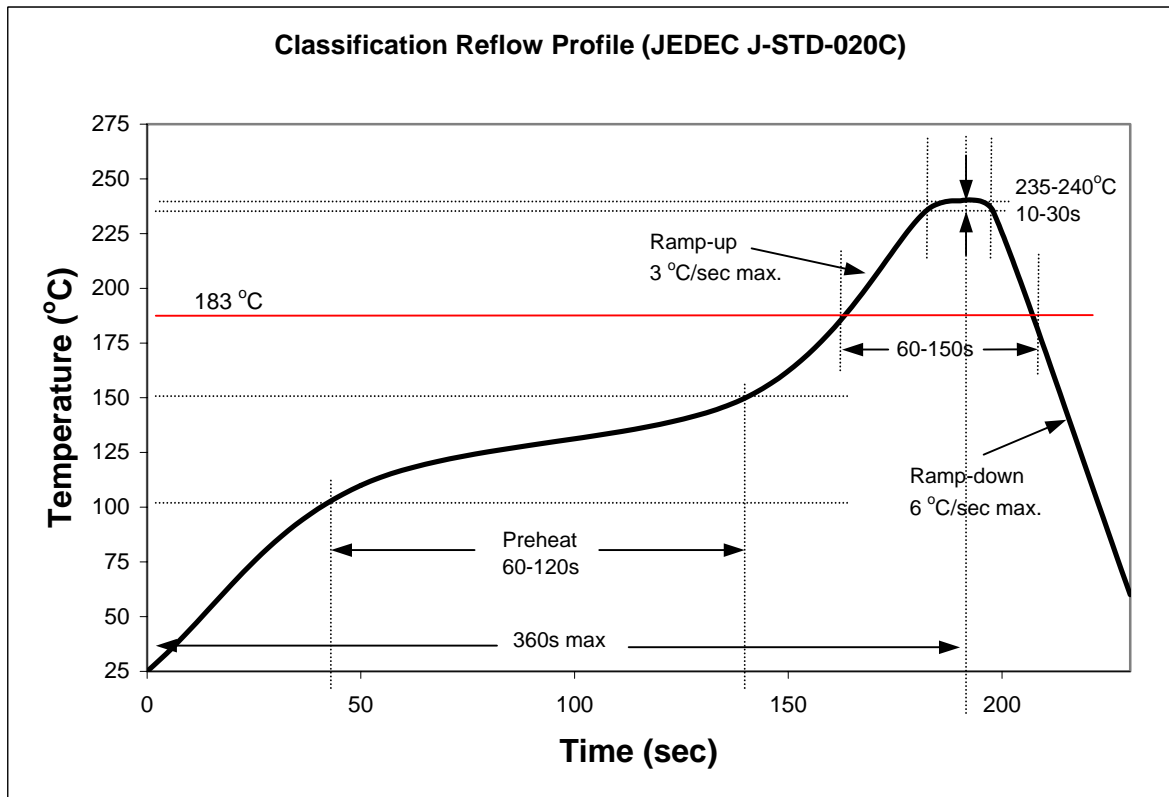
Reels come in quantity of 2000 units.

Reel diameters are 330 mm.





Recommended Sn-Pb IR-Reflow Soldering Profile.



Recommended Pb Free IR-Reflow Soldering Profile.

